

Features

- CLASS II 12VDC Power
- Shatter-resistant Plastic Globe
- Suitable for Damp Locations
- 275 Lumens 2200K 80 CRI
other color temperatures available
- Self contained flicker fixture.
- Flicker Flame functions with
programmable Levels, Randomness, and
Fade Rate.
- No external controller required
- Wireless IR Programming
- E26/E27 Edison Base mounting



A19

Description:

The-A19 lamp is the same size as a 60W LED A-Lamp, which can be installed in any fixture with a medium base. It may be used to retrofit existing fixtures by adding a small power supply in the Fixture or J-Box.

Programming is done with a PC application, and a custom IR Transmitter. This allows for easy field programming of the flicker effect after installation.

Flicker Flame

Realistic Flicker flame, Fire, and Candle effects can be created for each fixture. The effects are individually programmable with a variety of parameters to achieve a wide variety of effects, from a subtle to an energetic effect. No lookup tables or pre-recorded effects are used; each lamp is truly random and unique, so multiple lamps programmed with the same parameters will behave independently.

Universal Input

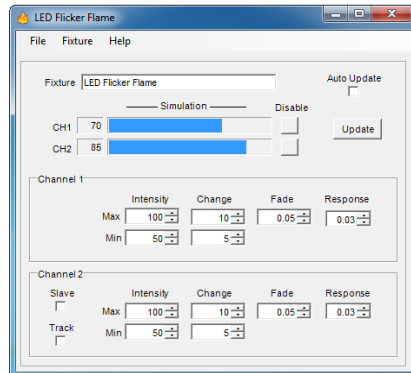
Lamps are designed for world wide applications, and will operate from 85 to 240VAC 50 or 60 Hz.

Applications:

- Theme Parks
- Gardens
- Restaurants
- Hotels
- Resorts
- Museums

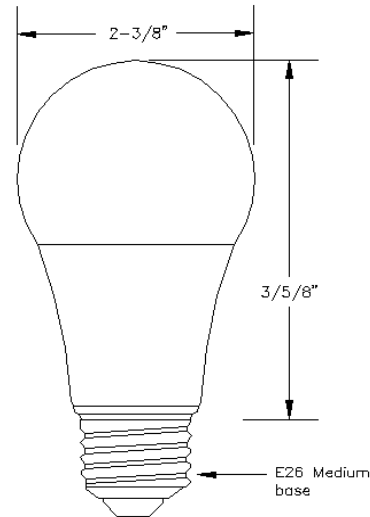
Programming:

The included PC application and IR Remote allows for easy programming from a PC or Laptop.



Dimensions / Mounting:

The lamp is supplied with a standard E26 Medium Base.



Specifications:

Power Input: 12V DC 300ma
 Enclosure: A19 Lamp Shell with E26 Base
 Shatter resistant plastic Globe
 Environment: Suitable for Dry or Damp locations

Ordering Information:

A19-150-3000K	3000K Color Temperature
A19-150-2700K	2700K Color Temperature
A19-150-2200K	2200K Color Temperature
A19-150-2000K	2000K Color Temperature

Other color temperatures are available.

Products are custom engineered to meet your requirements.

Contact us to discuss your application.

CHTC Enterprises, LLC
 20130 NW Nestucca Dr.
 Portland, OR 97229 USA

www.CHTC Enterprises.com
 503-350-0704
 sales@chtcenterprises.com

© 2017 CHTC Enterprises, LLC All Rights Reserved.
 Specifications subject to change without notice.
 Specification applicable to standard products only.
 Information furnished is believed to be accurate and reliable.
 However, no responsibility is assumed for its use.

