

Features

- Frosted Glass Candelabra
- Anodized Aluminum Base
- Weather resistant
- 275 Lumens 2200K 80 CRI
other color temperatures available
- Self contained flicker fixture.
- Flicker Flame functions with
programmable Levels, Randomness, and
Fade Rate.
- No external controller required
- Wireless IR Programming
- E26 Medium Base Socket



Description:

The FCL-E26 series closely resemble a traditional Candelabra bulb with no visible LEDs. They can be installed in a variety of fixtures including ones with clear glass. The E26 base allows for easy retrofits into existing fixtures. (12VDC Power supply required)

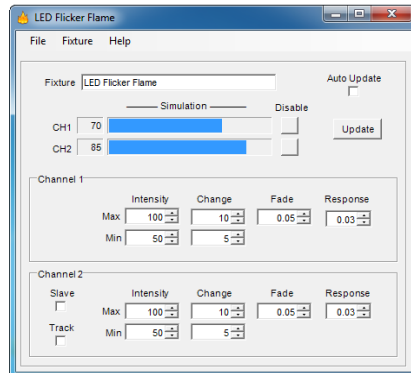
Programming is done with a PC application, and a custom IR Transmitter. This allows for easy field programming of the flicker effect after installation.

Flicker Flame

Realistic Flicker flame, Fire, and Candle effects can be created for each fixture. The effects are individually programmable with a variety of modes to simulate anything from glowing coals, to a raging inferno. No lookup tables or pre-recorded effects are used; each channel is truly random and unique.

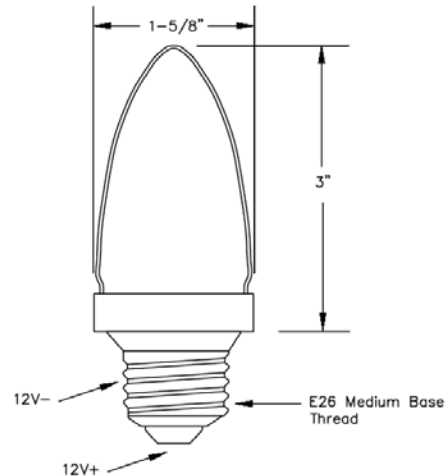
Programming:

The included PC application and IR Remote allows for easy programming from a PC or Laptop.



Dimensions / Mounting:

The fixture is supplied with a standard E26 Medium Base Socket. Other configurations are available.



Specifications:

Power Input: 12V DC 350ma
 Size: 1-5/8" x 3" plus base)
 Anodized Aluminum
 Environment: Dry or Damp Locations (Optional Wet Location)ct

Ordering Information:

FCL-E26-150-2700K	2700K
FCL-E26-150-2200K	2200K
FCL-E26-150-1975K	1975K

APV-8-12 12V 8W Power Supply (100-240 VAC)

Products are custom engineered to meet your requirements.

Contact us to discuss your application.

CHTC Enterprises, LLC
 20130 NW Nestucca Dr.
 Portland, OR 97229 USA

www.CHTC Enterprises.com
 503-350-0704
 sales@chtcenterprises.com

© 2019 CHTC Enterprises, LLC All Rights Reserved.
 Specifications subject to change without notice.
 Specification applicable to standard products only.
 Information furnished is believed to be accurate and reliable.
 However, no responsibility is assumed for its use.

