

Features

- Frosted Glass Candelabra
- Anodized Aluminum Base
- Weather resistant (IP54)
- 150 Lumens 2200K 80 CRI
other color temperatures available
- Self contained flicker fixture.
- Flicker Flame functions with
programmable Levels, Randomness, and
Fade Rate.
- No external controller required
- Wireless IR Programming
- 1/8" NPT All-Thread Mounting



FCL

Description:

The FCL series closely resemble a traditional Candelabra bulb with no visible LEDs. They can be installed in a variety of fixtures including ones with clear glass.

Programming is done with a PC application, and a custom IR Transmitter. This allows for easy field programming of the flicker effect after installation.

Flicker Flame

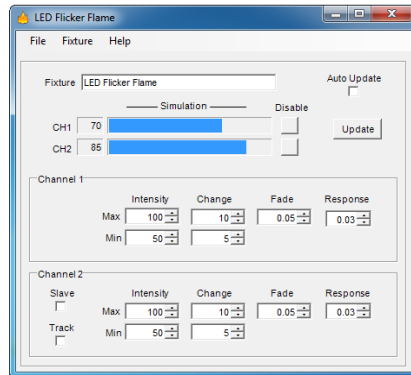
Realistic Flicker flame, Fire, and Candle effects can be created for each fixture. The effects are individually programmable with a variety of modes to simulate anything from glowing coals, to a raging inferno. No lookup tables or pre-recorded effects are used; each channel is truly random and unique.

DMX-512 Control

The flicker effect can be modified by a remote DMX-512 controller. Any of the flicker effect settings may be mapped to a DMX-512 dimmer channel.

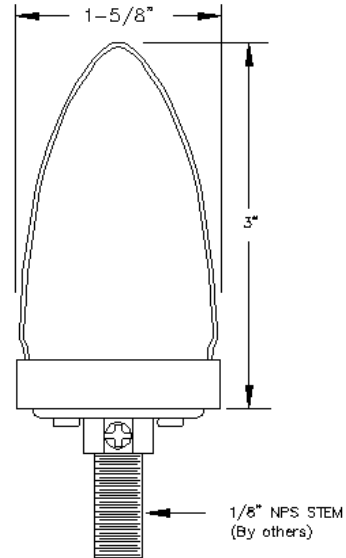
Programming:

The included PC application and IR Remote allows for easy programming from a PC or Laptop.



Dimensions / Mounting:

The lamp is supplied with a standard 1/8" NPS socket. Other mounting configurations are available.



Specifications:

Power Input: 12V DC 250ma
 Enclosure: 10mm x 38mm (Plus stem bracket)
 Clear Anodized Aluminum
 Environment: IP 54 – Weather resistant.

Ordering Information:

FCL-100-2700K 2700K LEDES
 FCL-100-2200K 2200K LEDES

Products are custom engineered to meet your requirements.
 Contact us to discuss your application.

CHTC Enterprises, LLC
 20130 NW Nestucca Dr.
 Portland, OR 97229 USA

www.CHTC Enterprises.com
 503-350-0704
 sales@chtcenterprises.com

© 2019 CHTC Enterprises, LLC All Rights Reserved.
 Specifications subject to change without notice.
 Specification applicable to standard products only.
 Information furnished is believed to be accurate and reliable.
 However, no responsibility is assumed for its use.

