

Features

- CLASS II 12VDC Power
- Frosted Opal Plastic Globe
- Low Profile Housing
- Suitable for Wet Locations.
- 275 Lumens 2200K 80 CRI
other color temperatures available
- Self contained flicker fixture.
- Flicker Flame functions with
programmable Levels, Randomness, and
Fade Rate.
- No external controller required
- Wireless IR Programming
- E26 Edison Base mounting



FGL

Description:

The FGL-LP lamp is stubby version of the A19 lamp for smaller fixtures. It may be used to retrofit existing fixtures by adding a small power supply in the Fixture or J-Box. Lamps are totally sealed, and may be used in wet or rainy conditions. (Not intended for underwater use)

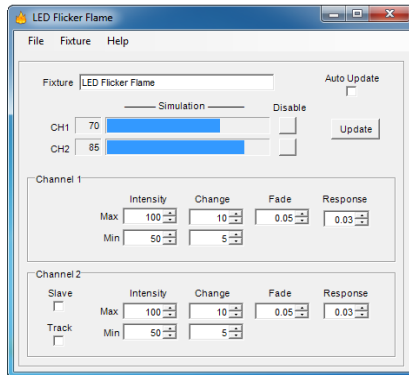
Programming is done with a PC application, and a custom IR Transmitter. This allows for easy field programming of the flicker effect after installation.

Flicker Flame

Realistic Flicker flame, Fire, and Candle effects can be created for each fixture. The effects are individually programmable with a variety of modes to simulate anything from glowing coals, to a raging inferno. No lookup tables or pre-recorded effects are used; each channel is truly random and unique.

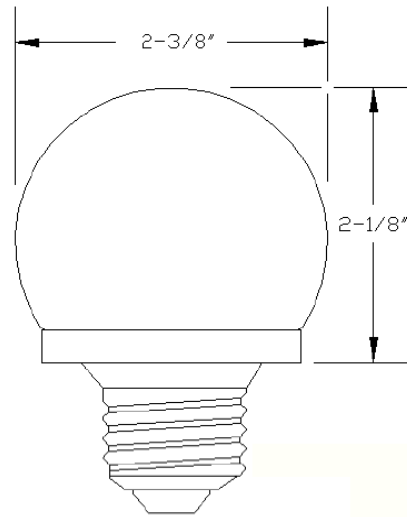
Programming:

The included PC application and IR Remote allows for easy programming from a PC or Laptop.



Dimensions / Mounting:

The lamp is supplied with a standard E26 Medium Base.



Specifications:

Power Input: 12V DC 300ma
 Mechanical: Anodized aluminum housing with E26 Base
 Shatter resistant plastic Globe
 Environment: Suitable for Wet locations

Ordering Information:

FGL-150-2700K 2700K Color Temperature
 FGL-150-2200K 2200K Color Temperature
 FGL-150-2000K 2000K Color Temperature

APV-8-12 12V 8W Power Supply (100-240 VAC)

Products are custom engineered to meet your requirements.

Contact us to discuss your application.

CHTC Enterprises, LLC
 20130 NW Nestucca Dr.
 Portland, OR 97229 USA

www.CHTC Enterprises.com
 503-350-0704
 sales@chtcenterprises.com

© 2019 CHTC Enterprises, LLC All Rights Reserved.
 Specifications subject to change without notice.
 Specification applicable to standard products only.
 Information furnished is believed to be accurate and reliable.
 However, no responsibility is assumed for its use.

